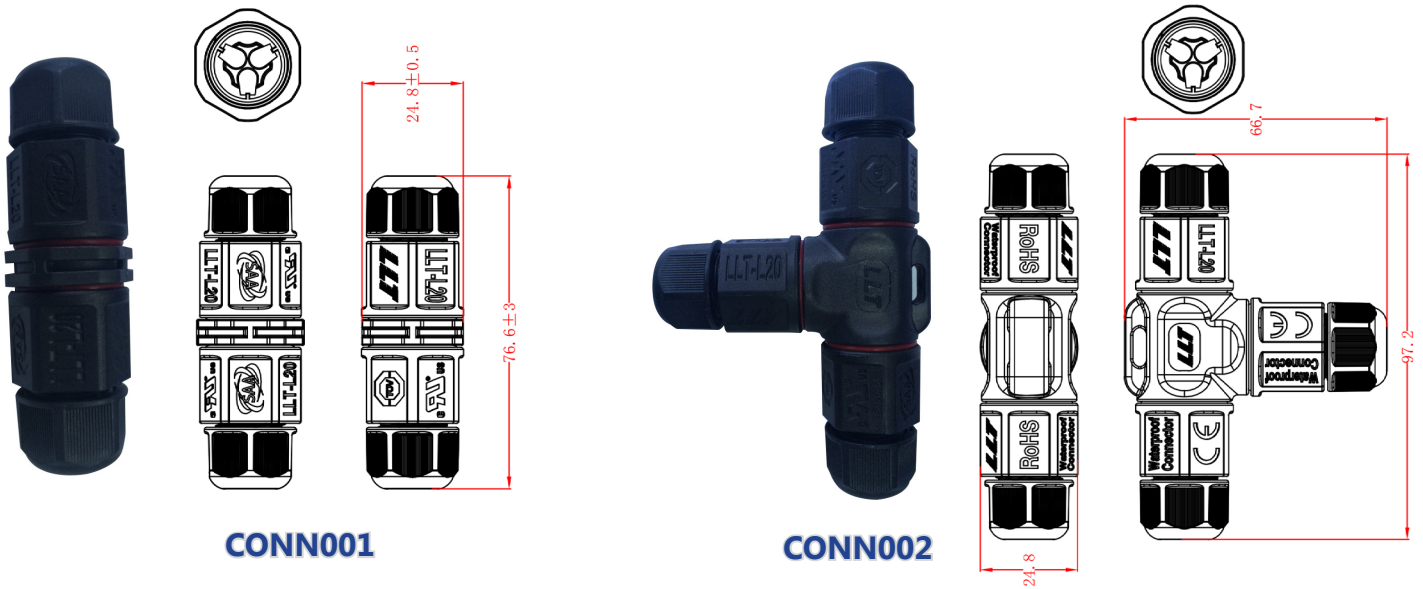




WATERPROOF CONNECTOR



FEATURES

- IP68
- Copper Cabling max - 4mm braidedW
- Screw Terminal Material: Brass with Ni Plated
- High Temperature rating: -40°C ~ +105°C
- Silicon Gel gasket
- Nylon glass fiber reinforced (PA66 + GF V0)
- 12 Months replacement warranty
- * If using flat sheathed cable, connector ends need to be sealed with waterproof compound.

SPECIFICATIONS

CODE	DESCRIPTION	CURRENT RATING	VOLTAGE RATING	CONTACT RESISTANCE	BREAKDOWN VOLTAGE	CIRCULAR CABLE DIAMETER
CONN001	Double Waterproof Connector	25A	380V/AC	100Mohm at 500V	1500V/1Min 5mA	6.5mm - 10.0mm
CONN002	Triple Waterproof Connector	25A	380V/AC	100Mohm at 500V	1500V/1Min 5mA	6.5mm - 10.0mm

UPDATED ON 11/05/2017