

ELITE



Colour Changeable Temperature

20W Step Dimmable LED CCT



MEF1333WW
White motor | White blades

MEF1333MB
Matt Black motor | Bamboo blades

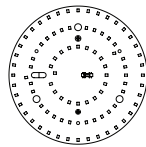
MEF1333MM
Matt Black motor | Matt Black blades

MEF1333BS
Brushed Nickel motor | Silver blades

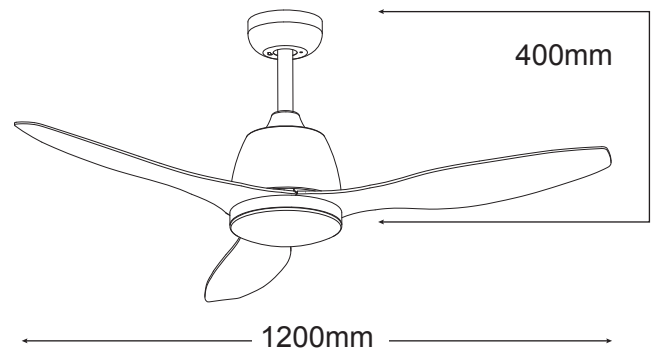
MEF1333BB
Brushed Nickel motor | Bamboo blades

MEF1333OM
Old Bronze motor | Merbau blades

- /// 3 year In Home warranty
- /// Dimmable 20W CCT switchable (3000k, 4000k or 5000k) LED light
- /// 3 stage step dimming LED light (step dim uses normal light switch or MPREM remote)
- /// Fully reversible for summer & winter
- /// Powerful and efficient 50W motor
- /// Electronically factory balanced blades
- /// ABS blades
- /// Remote control adaptable
- /// 1200mm (48") blade diameter
- /// Hangsure angle canopy
- /// 11.5 degree blade pitch



20w LED



Warm White 3000k	Neutral White 4000k	Cool White 5000k
----------------------------	-------------------------------	----------------------------

	FORWARD/REVERSE			WALL CONTROL
	High	Medium	Low	
CURRENT	0.16A	0.13A	0.10A	3 Speed 1.5µF +3.5µF / 300V
POWER	38W	26W	16W	

