

## AT9087 - SER II

12-30W Commercial Low Glare LED downlight with dimmable driver - Tri-colour

### Features

- Energy efficient LED
- Sophisticated optics for low glare lighting
- Modern reflector design
- Phase-cut dimmable
- Tri-CCT selectable



### ORDERING INFORMATION

<b>Order code</b>	12323
<b>Description</b>	12W LED downlight with dimmable driver - Tri-CCT - White - SER II
<b>Driver Type</b>	Dimmable ( Phase cut)
<b>Item Code</b>	AT9087/12/WH/TRI

### MECHANICAL

<b>Adjustability</b>	Fixed
<b>Product Finish</b>	Powdercoated
<b>Fitting Colour</b>	White
<b>IC Rating</b>	IC-4
IC-4 rating has been conducted at the products maximum working Temperature Range (C) in line with Australian standards. This provides the required safety when covered with insulation and used in Australian Environments.	
<b>Installation Type</b>	Recessed
<b>IP Rating</b>	IP44 Front Face Only

### ELECTRICAL

<b>Electrical Rating</b>	Class II
<b>Input Frequency</b>	50 Hz
<b>Input voltage</b>	230Vac
In Australia the Input voltage is defined as 230Vac -6%/+10%. This effectively means that the voltage range of these products are 216Vac - 253Vac or 240V +6%	
<b>Maximum Wattage</b>	12 W
<b>Switch Type</b>	Inline
<b>Working Temp Range</b>	-10 to 40 °C

### LAMP

<b>Beam Angle</b>	60 °
<b>CCT Configuration</b>	TRI-CCT
<b>CRI</b>	>80
<b>Lamp/LED Current</b>	300 mA
<b>Lamp/LED voltage</b>	36 V
<b>System Efficiency</b>	137 lm/W
<b>UGR</b>	<19

### LED LIFETIME

<b>LED Lifetime</b>	>54,000 hrs
This is the Reported LED Lifetime in Hours based on TM-21. Atom does not list the projected or calculated LED lifetime, which is normally longer as TM-21 Addendum B explicitly states "The Calculated and Projected Lp(Dk) are not to be reported". This Lifetime refers to the life of a single LED however the system life is longer since the probability and binomial distribution of all LEDs in the system means that the average led is performing above the specification and compensates for the LEDs falling below.	
<b>TM-21 Test Hours</b>	9000 hrs

### COLOUR TEMPERATURE

Warm White (3000K K)	1540 lm
Cool White (4000K K)	1640 lm
DayLight (5700K K)	1600 lm

## DRIVER

Dimmable	Yes
Driver Included	Yes
Integrated Driver	No
Driver Mode	Constant Current
Driver Type	Dimmable ( Phase cut)
Flex & Plug or Lead Length	1200 mm
Wiring Type	Re-wireable Flex & Plug (2 pin)

## WARRANTY

Commercial Use Warranty	3 RTB (Total 3 Years)
Domestic Use Warranty	3 (Yr) RTB
VIP Warranty	2 Onsite, 3 RTB (Total 5 Years)

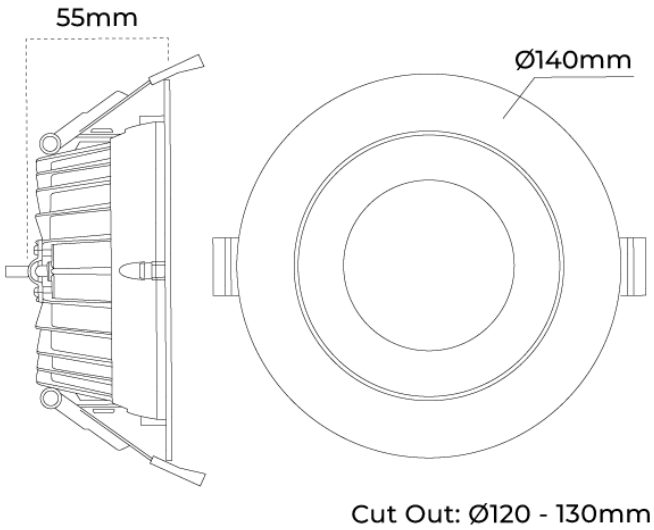
VIP warranty is available to registered users and is subjected to additional terms and conditions.

## DIMENSIONS

Cutout	120-130 mm
Product Diameter	145 mm
Product Height	55 mm

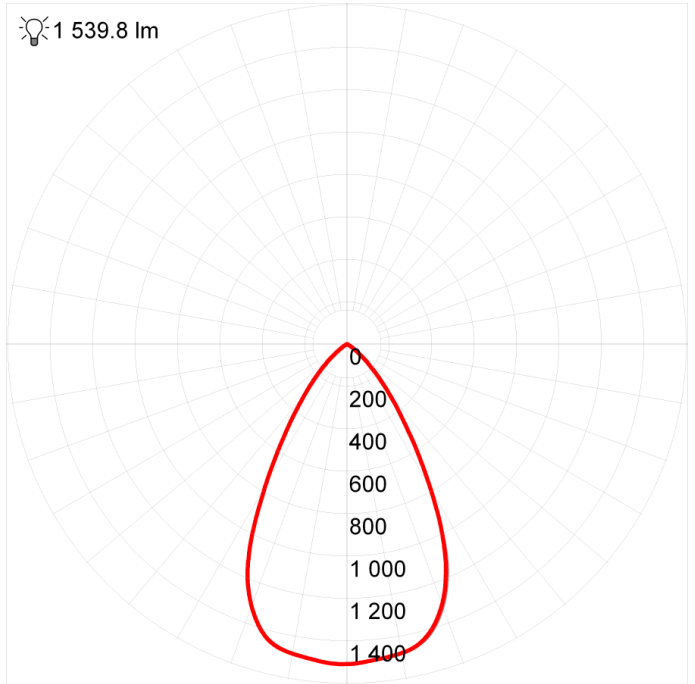
## LINE DRAWINGS

### AT9087/12/WHI/TRI/2/1

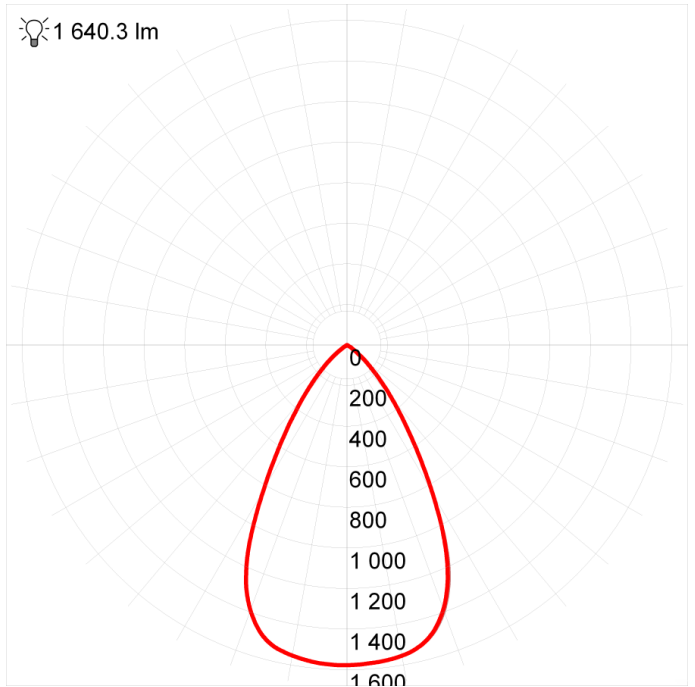


## PHOTOMETRICS

### AT9087/12/WH/TRI/3000K



### AT9087/12/WHI/TRI/4000K



AT9087/12/WHI/TRI/5700K

💡 1 610.6 lm

