



MINI SPIKE SL7266 - 6W

IP65 LED residential mini spike luminaire

Application

Decorative accent solution

Design Specifications

- Die-cast aluminium body and powder coated black aluminium body profile
- 12V AC or DC driver required.
- High efficiency COB LED chips
- Supplied with 1.5 m 2 core rubber flex
- IP65 protection
- Adjustable trunnion optical system



Technical Specification

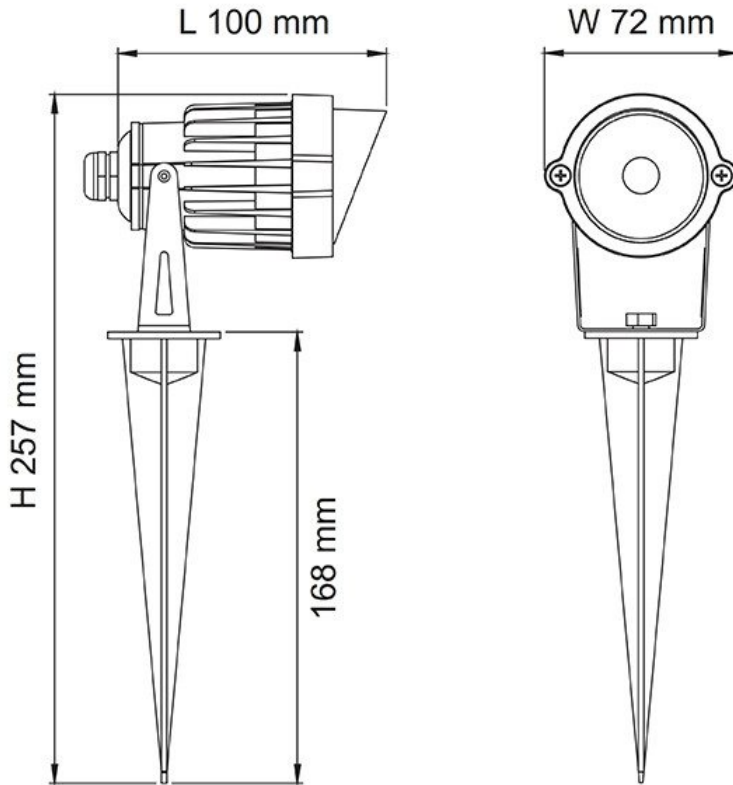
Model No.	Input Voltage (V/AC)	Input Voltage (V/DC)	Power (W)	Lumens (lm)	CCT (K)	CRI
SL7266WW/BK	12	12	6	400	3000	80

Technical Specification

Model No.	Beam Angle (°)	Diameter (mm)	Dim (mm)	Body Colour
SL7266WW/BK	30	72	72(W) x 257(H)	BLACK

Due to continued product and technology enhancements, data sourced from sal.net.au shall not form part of any contract and or technical performance guarantee unless expressly confirmed in writing by SAL at the time of order. Products are sold in accordance with [SAL Terms and Conditions of sale](#) and all images shown are for illustration purposes only and may vary from the actual colour or finish. Unless specifically stated, all IP ratings nominated for Interior products are from "below the ceiling".

Dimensions



Product Images

